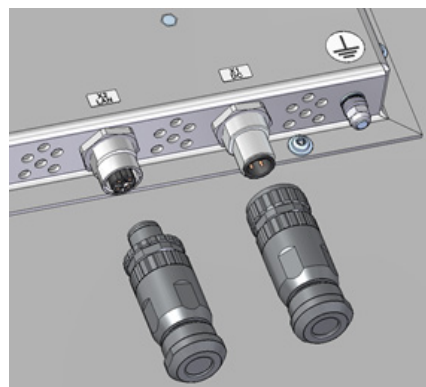


TFT-Monitor 21.5“ Panelmount



- Passenger information system for display of information
- Intensity of display light controlled by a light sensor
- Railway and bus service qualified
- Low weight
- Non-glare display
- Simple and adaptive for external systems
- Robust construction
- Simple assembly

Interfaces



Technical Data

Voltage range	wide range input 24V to 110V, -30% / +25% (EN 50155)
Voltage interruption	class S2 (EN 50155)
Power consumption	max. 35W
Operating temperature	temperature class T1 acc. EN50155
Storage temperature	-20 - +60°C
Humidity	max. 90% relative humidity, non-condensing
Ethernet	10/100Base-TX [FD] acc. IEEE 802.3
Protection class	front IP 65 (installed), rear IP20
Weight	4.52 kg
Construction	metal housing aluminium front glass 3mm VSG, non-glare front panel with anti-graffiti powder coating
Dimensions	height 356 mm width 585 mm depth 48.5 mm

